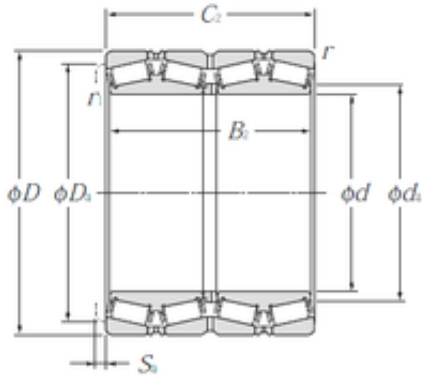


501,65 mm x 711,2 mm x 520,7 mm NTN E-M274149D/M274110/M274110DG2 tapered roller bearings



Bearing No. E-M274149D/M274110/M274110DG2

Size	501.65x711.2x520.7 mm
Bore Diameter	501,65 mm
Outer Diameter	711,2 mm
Width	520,7 mm
d	501,65 mm
D	711,2 mm
B	520,7 mm
C	520,7 mm
r min.	6,4 mm
r1 min.	3,3 mm
Da	663 mm
da	534 mm
Sa	9,5 mm
Weight	726 Kg
Basic dynamic load rating (C)	8 650 kN

E-M274149D/M274110/M274110DG2 Bearing 2D drawings and 3D CAD models