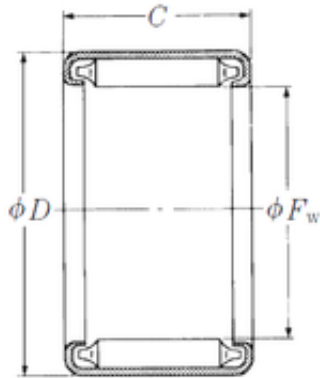


## NSK J-812 needle roller bearings

Bearing No. J-812



Size	12.7x17.462x19.05 mm
Bore Diameter	12,7 mm
Outer Diameter	17,462 mm
Width	19,05 mm
Fw	12,7 mm
D	17,462 mm
C	19,05 mm
Weight	0,0077 Kg
Basic dynamic load rating (C)	10,1 kN

J-812 Bearing 2D drawings and 3D CAD models