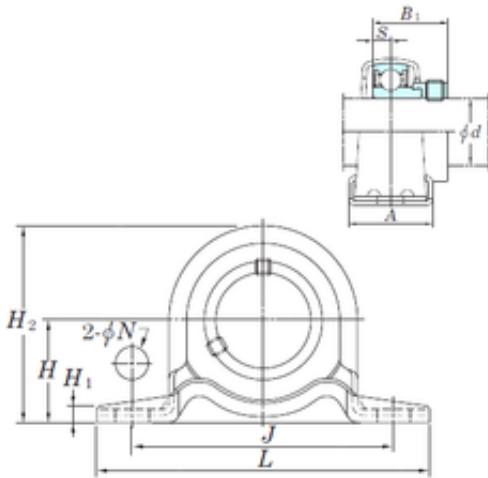


## KOYO SAPP205 bearing units

Bearing No. SAPP205



SAPP205 Bearing 2D drawings and 3D CAD models

Bore Diameter	23,8125 mm
Width	28,6 mm
d	23,8125 mm
A	32 mm
B1	30,5 mm
H	28,6 mm
H1	4 mm
H2	56,6 mm
J	86 mm
L	108 mm
N	11,5 mm
S	7,5 mm
Bolt (G)	M10
Weight	0,32 Kg
Basic dynamic load rating (C)	14 kN
Basic static load rating (C0)	7,85 kN