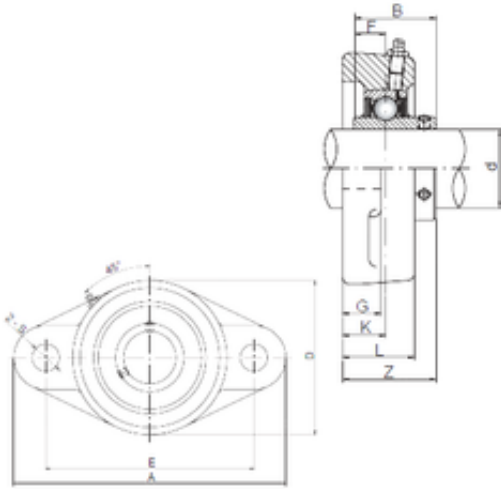


12 mm x 60 mm x 31 mm ISO UCFL201 bearing units

Bearing No. UCFL201



UCFL201 Bearing 2D drawings and 3D CAD models

Bore Diameter	12 mm
d	12 mm
B	31 mm
Z	33,3 mm
A	113 mm
D	60 mm
E	90 mm
F	12,7 mm
G	11 mm
K	15 mm
L	25,5 mm
S	12 mm
Bolt (G)	M10